

Catalog number 100
100 watt

3" fresnel

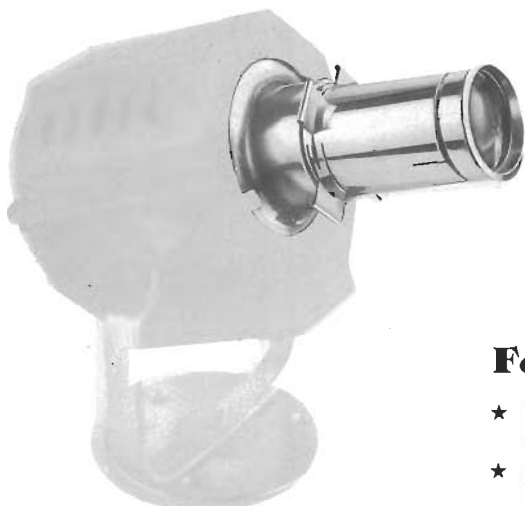


A lightweight, very short throw, all purpose lighting device, the #100 produces a soft edged beam which varies in diameter from 4.2 feet to 10.4 feet at a throw distance of 10 feet. The #100 is designed for incandescent lamps as well as tungsten halogen lamps. The unit is used in theatre for specials or in television and photographic studios for table top applications. Other uses include nightclubs, museums and show windows where soft edged controlled lighting is required.

With the installation of the #99 Picture Frame Adaptor, this device becomes a perfect, low brightness framing projector for residential, gallery, and museum use.

Features #100 3" Fresnel

- ★ 3" heat resisting Fresnel lens.
- ★ Cast aluminum construction.
- ★ Double contact bayonet base socket.
- ★ Specular spherical Alzak aluminum reflector.
- ★ Slide adjustment spot to flood focus.
- ★ Circular cast base plate included.
- ★ Plated steel color frame included.
- ★ U.L. listed for up to 100 watts



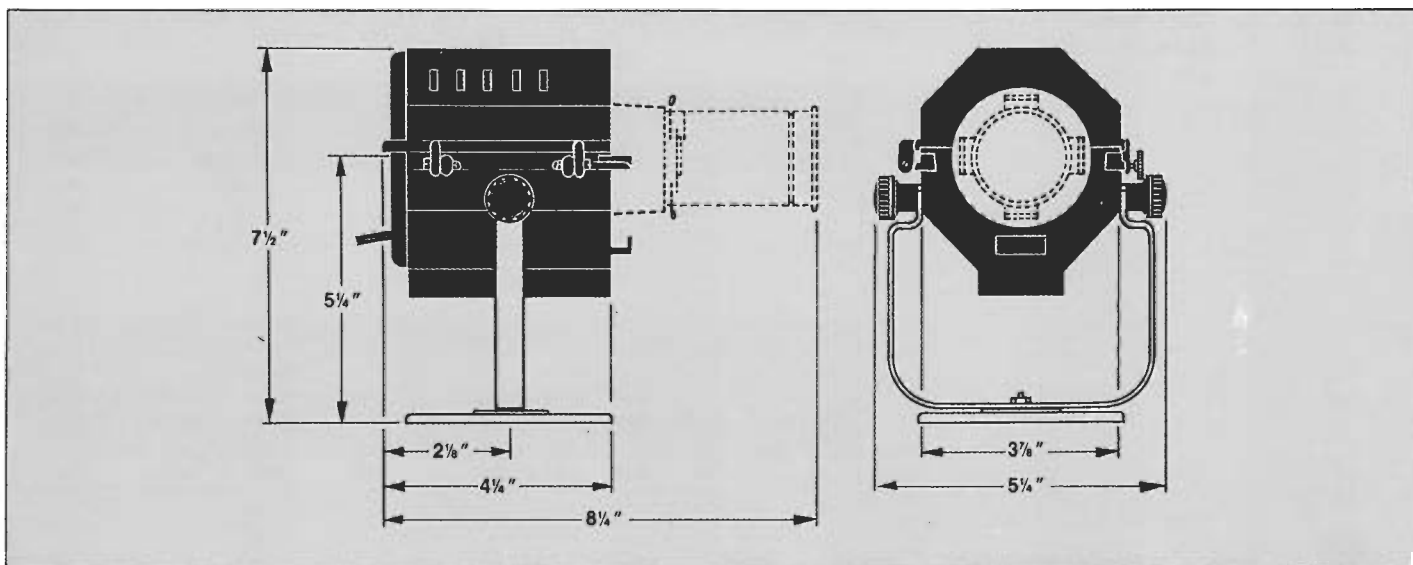
Catalog number 99
100 watt

Picture Frame Adaptor for 3" fresnel

Features #99 Picture Frame Adaptor

- ★ Inserts directly in place of 3" Fresnel lens.
- ★ Adjustable lens for soft or hard focus.
- ★ Four removable framing shutters included.

Specifications may vary from time of printing



ALTMAN

THE QUALITY OF LIGHT

Altman Stage Lighting Company, Inc.,
57 Alexander Street, Yonkers, NY 10701

914-476-7987

212-569-7777

FAX: 914-963-7304